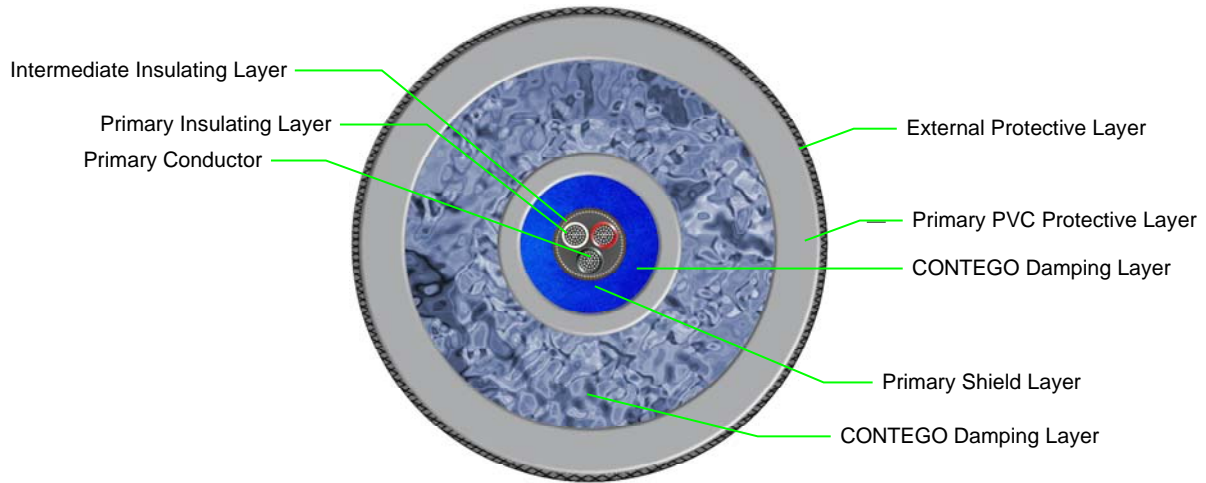


PURIST ANNIVERSARY RCA CABLE



(diagram not to scale)

Specifications

| | |
|--------------------------|---|
| Type: RCA CABLE | |
| Design goals | Extremely low resistance, high noise immunity |
| Conductor | Stranded, multi-gauge alloy |
| Metals | Copper, silver, gold |
| Shielding | Polyester wrap, braided silver-plated copper with 90% coverage, CONTEGO |
| Dielectric | Teflon®, polyvinyl chloride |
| Gauge (effective) | 14 AWG |
| Capacitance | 248.2 pF/m \pm 15% (pin-to-shield) |
| Resistance | 9.0 m Ω /m (conductor) |
| Break-in time (hours) | 200 |
| Cable diameter (nominal) | 1 1/4" OD (one channel) |
| Material treatment | 3X Cryomag® |