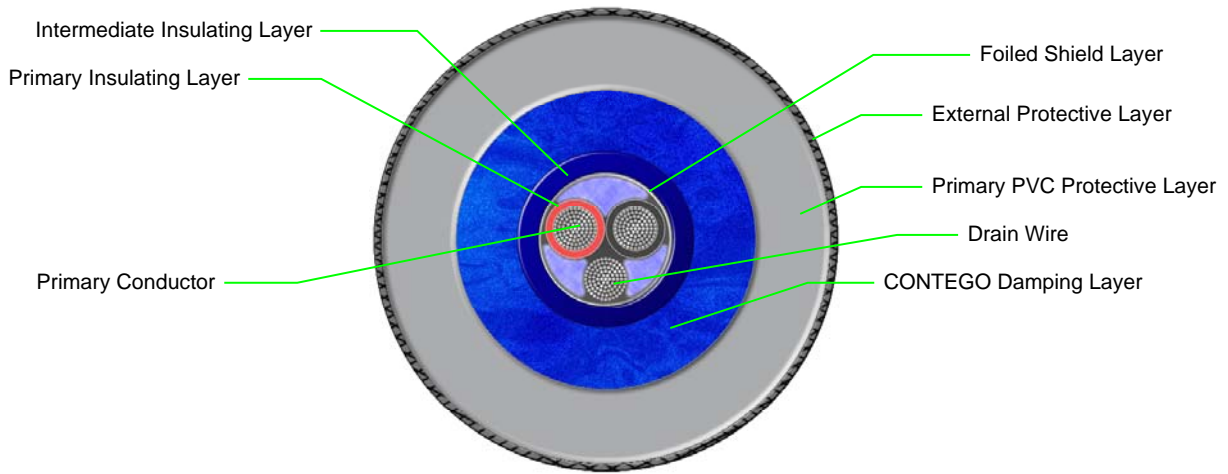


# AQUEOUS ANNIVERSARY SPEAKER



(diagram not to scale)

## Specifications

Type: SPEAKER CABLE	
Design goals	High performance to cost ratio
Conductor	Stranded, multi-gauge alloy
Metals	Copper, gold
Shielding	Foil with drain wire
Dielectric material(Primary)	Santoprene
Damping Material	Contego
Gauge (effective)	12 AWG
Current capacity (DC)	20 A @ 105°C
Resistance	17 mΩ/m (conductor)
Break-in time (hours)	150
Cable diameter (nominal)	½" OD (one channel)
Material treatment	3x Cryomag©